

M23 SERVO CABLE

Specification: 6FX8002-5DS01-1BK0

Power cable with brake wires for SINAMICS S120 and motors with M23 connection and holding brake

Female straight – pre-wired terminals

M23, 6-pole

shielded

without cable sleeves

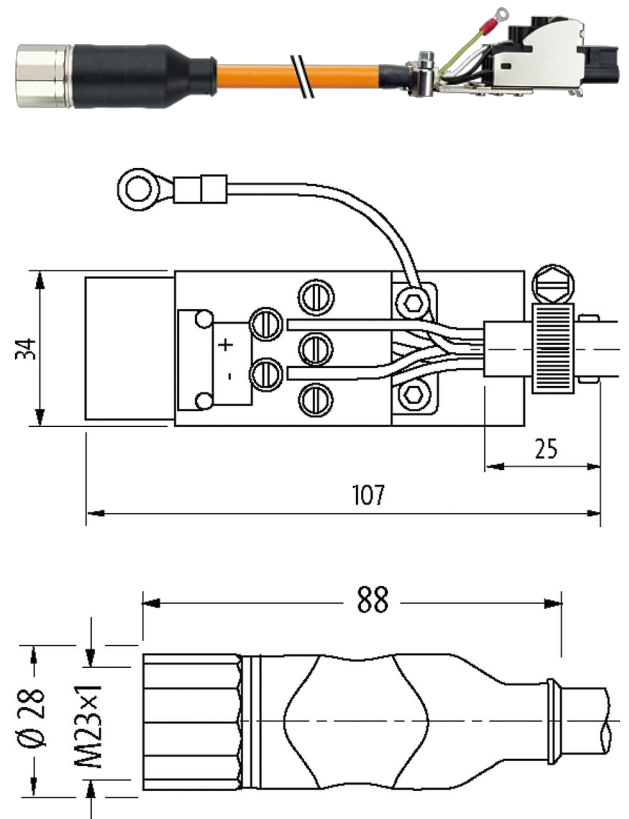
Further cable lengths on request.

Plastic housings with good resistance against chemicals and oils.

The resistance to aggressive media should be individually tested for your application. Further details on request.

[Link to Product](#)

Illustration



Product may differ from Image

Form

Form PS011

General data

Pollution Degree 3
 Temperature range -25...+85 °C, depending on cable quality

Cables

Cable number 821
 No./diameter of wires (4G1.5 + (2× 1.5)C)-C
 Wire isolation TPM (bk num, gnye)
 C-track properties 10 Mio.

| | |
|----------------------------|---------------------------------|
| Torsion stress | ±30°/m |
| Jacket Color | orange |
| Material (jacket) | PUR (UL/CSA) (=MC800+) |
| Specification | 6FX8008-1BA11 |
| Outer Ø | 11.6 mm ±5% |
| Bend radius (fixed) | 5× outer Ø |
| Bend radius (moving) | 7.5× outer Ø |
| Temperature range (fixed) | -50...+80 °C |
| Temperature range (mobile) | -35...+70 °C |
| Shield | yes |
| Approval (cable) | cURus (AWM-Style 21223/10492) |
| Diameter (core) | 4× 2.5 + 2× 1.5 mm ² |

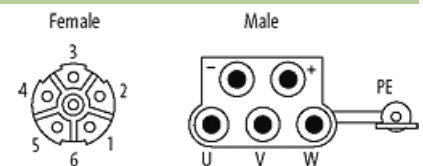
Technical Data

| | |
|---|--|
| Operating voltage | 600 V AC/DC (PIN 1/2/3/6); 250 V AC/DC (PIN 4/5) |
| Rated surge voltage | 4 kV (PIN 1/2/3/6); 2 kV (PIN 4/5) |
| Operating current per contact | Power cores: 12 A (1.5 mm ²), 15 A (2.5 mm ²); brake cores: 5 A (1.5 mm ²) |
| Material group | IEC 60664-1, category I |
| Locking of ports | Screw thread (M23×1 mm) recommended torque 2.0 Nm, self-securing |
| Compression gland | M23 (SW27) |
| Protection | IP20/IP67 |
| Locking material | Brass, nickel plated |
| Material | PUR |
| suitable for corrugated tube (internal Ø) | 16 mm |

Commercial data

| | |
|-----------------------|---------------|
| country of origin | DE |
| customs tariff number | 85444290 |
| EAN | 4048879479608 |
| eClass | 27279218 |
| Packaging unit | 1 |

Sketch



Product may differ from Image